



RM31215APOS

21,5 inch Point of Sale



★ FEATURES

- LG IPS 1080P HD high brightness screen
- Ultra thin border for easy multi-screen splicing
- Network remote management
- Adjustable Rotating Head and Foldable Body

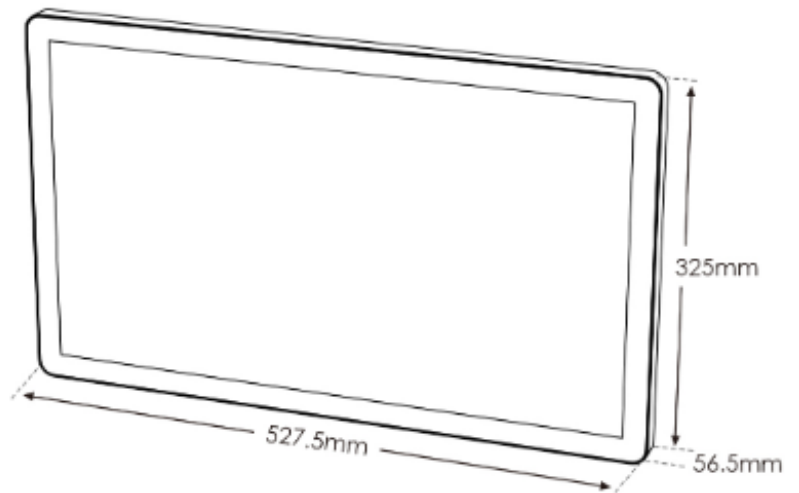
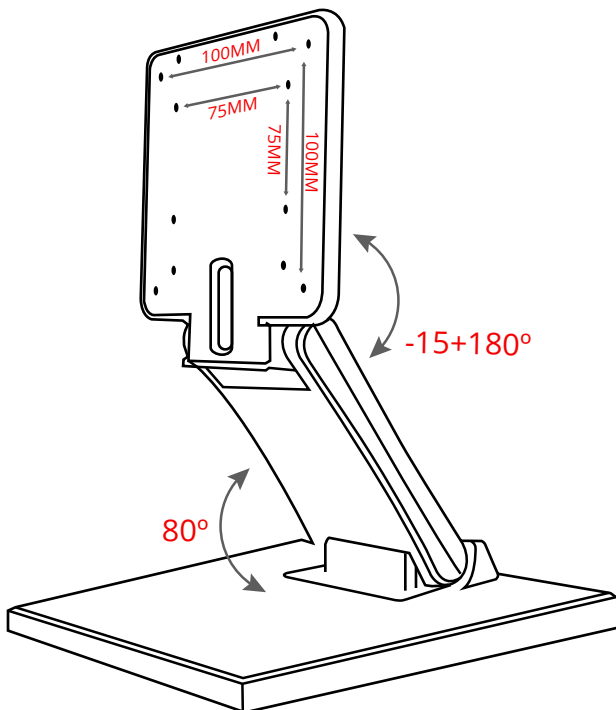


RM31215APOS

21,5 inch Point of Sale



- LG original IPS 1080P HD high brightness screen.
- Support standard VESA, horizontal or vertical installation.
- Ultra thin border better display and easy multi-screen splicing.
- Network remote management, can transfer contents through computer, mobile phone or USB interface.
- Support timing switch, network wake-up, screen dividing or multi-screen splicing.
- Support Ethernet and WIFI.





RM31215APOS

21,5 inch Point of Sale



SPECIFICATION

WIN7/10 (trial version)		CPU	Intel Celeron J1900 / I3-6100U/ I5-I3-6200U/ I7-6500U	
		System Memory	4G, 8G(Optional)	
		Disk	64G/128G/256G(SSD)	
		Speaker	5W*2	
		Interface	USB*3/RJ45*1	
		Network	Ethern/WIFI	
<hr/>				
Android 6.0 and higher version		CPU	A83T Cortex-A7 octa-core 2.0GHz	
		System Memory	1G/2G	
		Disk	8G/16G/32G/64G	
		Speaker	5W*2	
		Interface	USB*2/RJ45*1	
		Network	Ethern/WIFI	
<hr/>				
LCD	Type	TFT-LCD	Contrast Ratio	3000:1
	Screen size	21.5"	Response Time	18ms
	Max Resolution	1920×1080	Viewing Angle	H178° V178°
	Aspect Ratio	16:09	Display Colors	16.7M
	Brightness	300cd/m ²	Refresh Rate	60Hz
	Panel Life	30000 hours		
<hr/>				
Power	Voltage	100-240VAC,50/60Hz	Power Consumption	<50W
<hr/>				
Enclosure	Material	SPCC		
	Surface	Powder coating		
	Overall Size	L527.5×W56.5×H325		
	VESA dimension	Stand dimension 75x75 and 100x100 VESA Hole For Mounting The Monitor		
	Package	L650×W190×H450		
	Net Weight	7.5kg		
	Gross Weight	10.5kg		
Application	Working temperature	0~40°C	Storage temperature	-20~60°C
	Working humidity	20%~80%	Storage humidity	10%~90%
	Application	indoor		