



RF1455POS

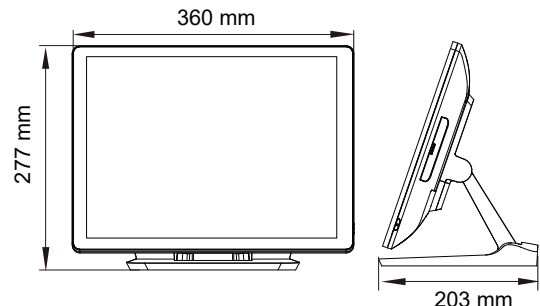
All In one (POS)



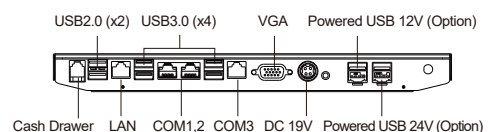
The RF1455POS was born to make life easier when it comes to serviceability and upgradability. The new POS 455 is a modular 15" All-in-One POS Terminal equipped with a VESA mount bracket in both the back cover and the stand. The aesthetic design of the chassis and the Stand allow the RF1455POS to be used in various places with the convertible function between a desktop POS and a wall-mounted POS. Seamless integration of modular peripherals such as MSR, iButton, Fingerprint, Second Display and Customer Display are all available, making it perfect for the retail and hospitality industries.

★ FEATURES

- 15" True-Flat PCAP Touch
- Intel Bay Trail or Skylake U Processor
- Fanless and Silent
- Modular Design for Easy Serviceability
- High Flexibility with Foldable Stand
- MSR/ iButton/ Fingerprint Available
- 2nd Display and Customer Display Available



D86U





RF1455POS

All In one (POS)

📄 SPECIFICATION

System	Motherboard	D36	D86U
	Processor	Intel Bay Trail CPU Celeron J1900 2GHz	Intel Skylake U CPU Celeron 3955U 2GHz, LLC 2M (15W, EIA) i5-6200U 2.3GHz, LLC 3M (15W, EIA)
	Chipset	CPU Integrated	CPU Integrated
	System Memory	1x DDR3L SO-DIMM up to 8GB	1x DDR3L SO-DIMM up to 8GB
	Storage Device	1x 2.5" SATA HDD or SSD	1x 2.5" SATA HDD or SSD
	Graphic Engine	Intel HD Graphic DX11 and OCL1.1	Intel HD Graphic DX12 and OCL4.2
LCD Touch Panel	LCD Size	15" TFT LCD	15" TFT LCD
	Brightness	300 nits	300 nits
	Resolution	1024 x 768	1024 x 768
	Touch Screen	True-Flat PCAP Touch	True-Flat PCAP Touch
Expansion	Mini PCI-E Slot	1	1
External I/O Ports	USB	1x USB3.0, 4x USB 2.0	4x USB3.0, 2x USB2.0
	Serial Port	3x RJ45 (powered RS232) (default 0V; COM1,COM2 0V/5V; COM3 0V/12V)	3x RJ45 (powered RS232) (default 0V; COM1,COM2 0V/5V; COM3 0V/12V)
	LAN	1x RJ45	1x RJ45
	Cash Drawer	1x RJ11 (12V/24V)	1x RJ11 (12V/24V)
	VGA	1x DB15	1x DB15
	DC Jack	1x 4 pin w/ lock	1x 4 pin w/ lock
Optional I/O	Powered USB	1x Powered USB 12V, 1x Powered USB 24V	1x Powered USB 12V, 1x Powered USB 24V
Audio	Internal Speaker	2x 2W (Option)	2x 2W (Option)
Indicator	LED Indicator	1	1
Power	Power Supply	65W / 19V (120W / 19V with PUSB 12V & 24V)	90W / 19V (120W / 19V with PUSB 12V & 24V)
Communication	WLAN + BT	802.11 a/b/g/n/ac WLAN card + BT 4.0 (Option)	802.11 a/b/g/n/ac WLAN card + BT 4.0 (Option)
Peripheral (Option)	MSR	3-Track MSR (USB)	3-Track MSR (USB)
	iButton	iButton (USB)	iButton (USB)
	Fingerprint	Fingerprint Reader (USB)	Fingerprint Reader (USB)
	2nd Display	8.4" without touch	8.4" without touch
	Customer Display	LCM display 2 x 20 characters (USB)	LCM display 2 x 20 characters (USB)
Certificate	EMC & Safety	FCC Class A, CE Mark, LVD	FCC Class A, CE Mark, LVD
Environment	Operating Temperature	0°C ~ 35°C (32°F ~ 95°F)	0°C ~ 35°C (32°F ~ 95°F)
	Storage Tem perature	-20°C ~ 60°C (-4°F ~ 140°F)	-20°C ~ 60°C (-4°F ~ 140°F)
	Humidity	20% ~ 80% RH non-condensing	20% ~ 80% RH non-condensing
Dimensions (WxDxH)		360 x 203 x 277 mm (14.2" x 8.0" x 10.9")	360 x 203 x 277 mm (14.2" x 8.0" x 10.9")
Weight		4.3 kg (9.5 lbs)	4.3 kg (9.5 lbs)
Mounting		VESA Mount 100 x 100	VESA Mount 100 x 100
OS Supported		Windows 7, POSReady 7, Windows Embedded 8.1 Industry, Windows 10 IoT Enterprise, Linux	Windows 7 Pro (64bit), POSReady 7 (64bit), Windows 8.1 (64bit), Windows Embedded 8.1 Industry (64bit), Windows 10 (64bit), Windows 10 IoT Enterprise (64bit), Linux